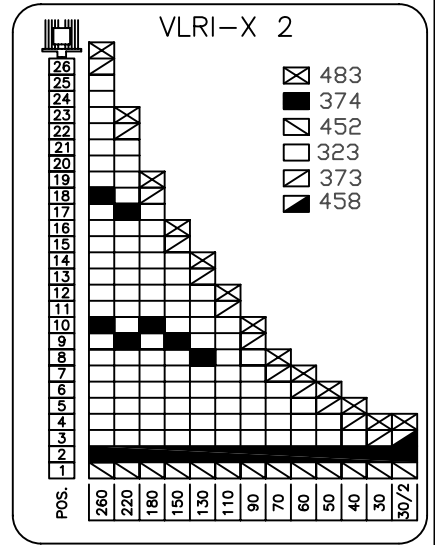
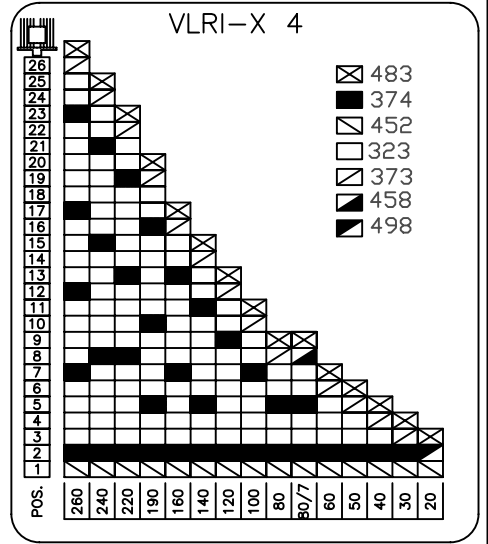


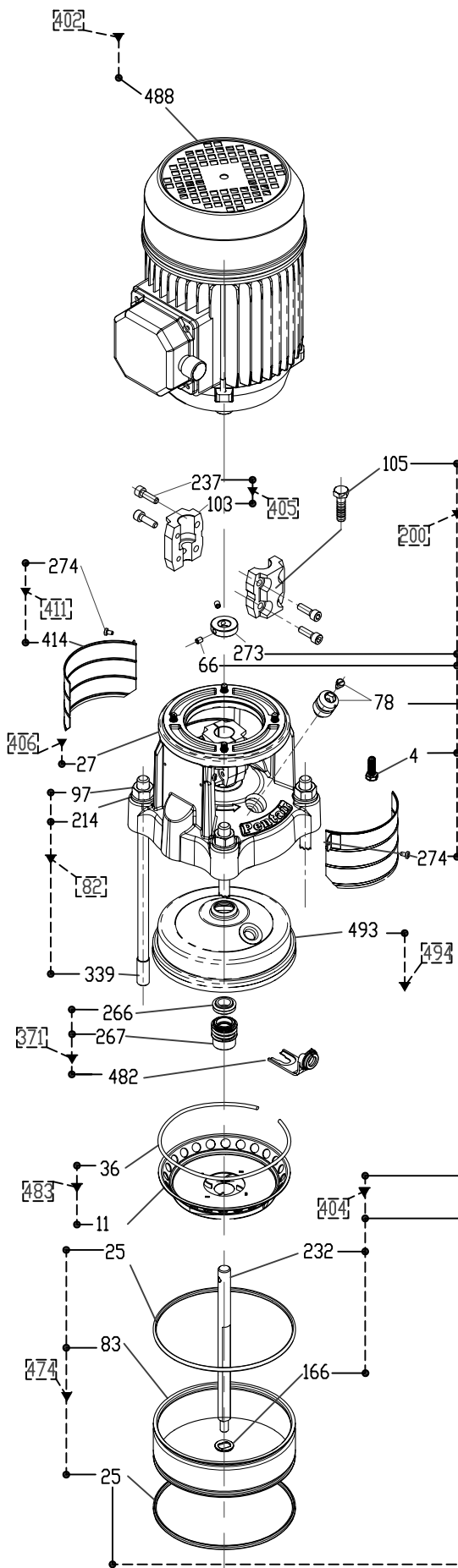
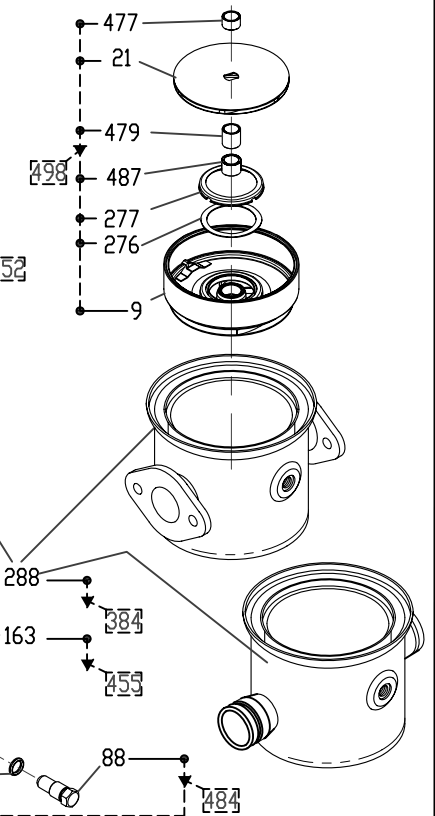
B

B



A

A



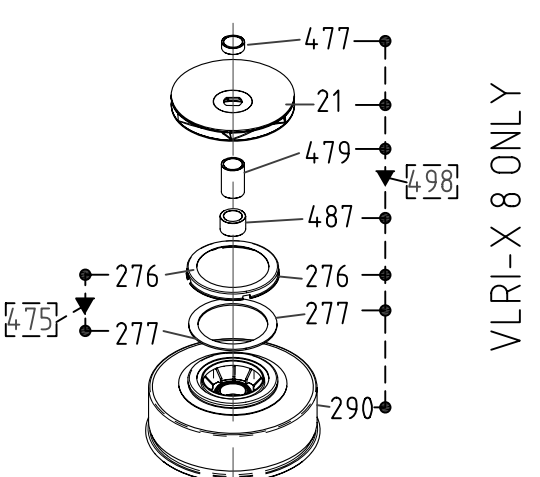
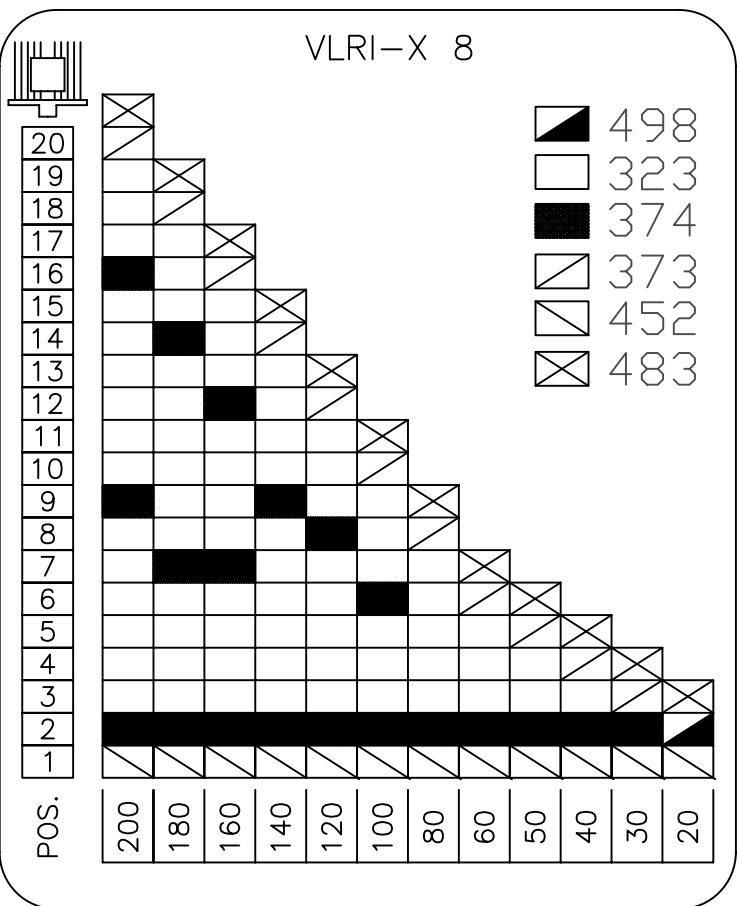
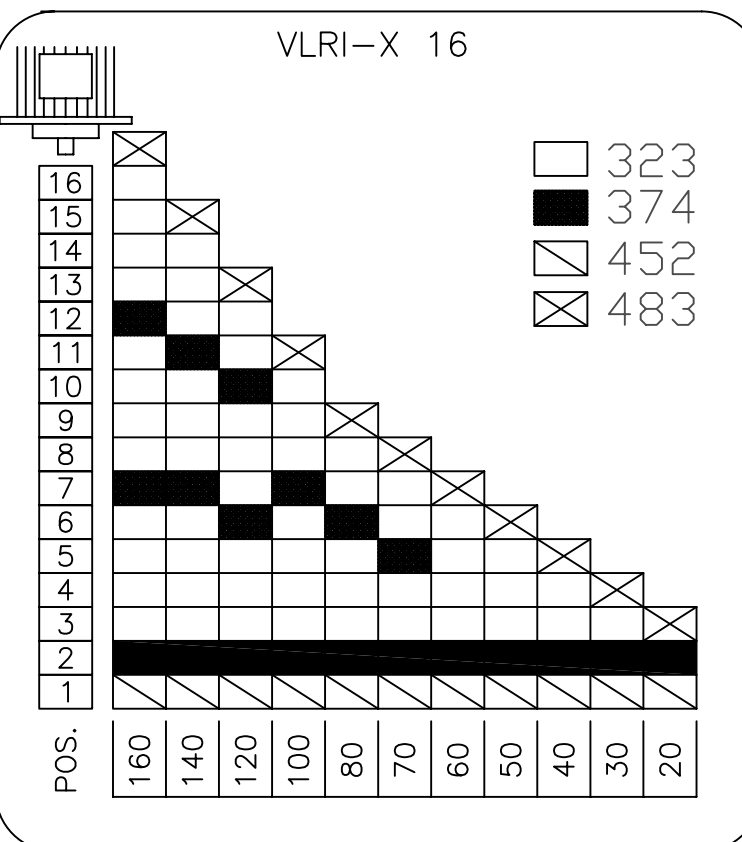
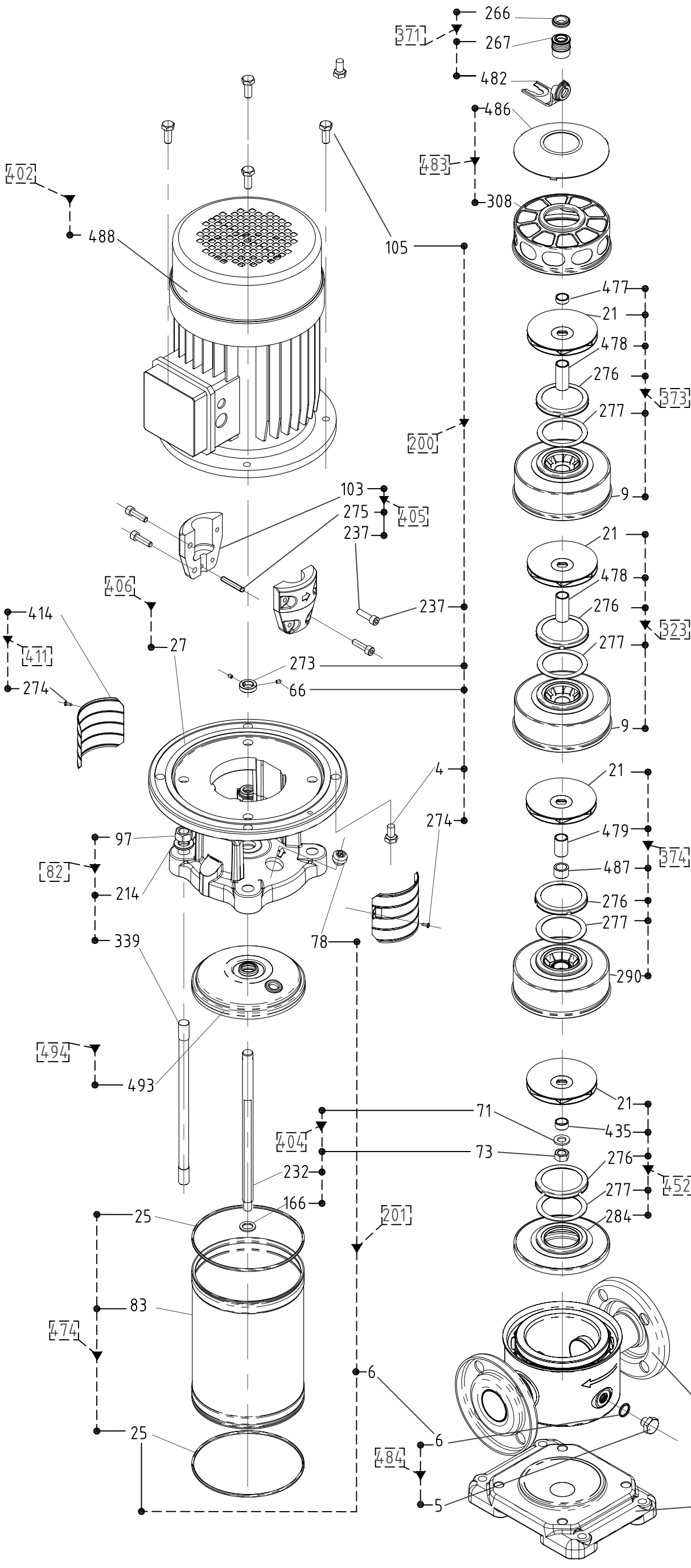
Pentair Water
 Pentair Water Italy S.r.l.
 Via Masaccio, 13
 56010 Lugnano (PI)
 ITALY

Drawn **Vaglini**
 Approved **M. Bernacca**

Title **VLRI-X 2-4**
 Date **(dd/mm/yy) 25-11-09**

Sheet **1 of 1**
 Dwg # **DR090010_01**

This drawing is the absolute property of Pentair Water Italy S.r.l. It may not be reproduced in any form without the written permission of Pentair Water Italy S.r.l.



	Pentair Water Italy S.r.l. Via Masaccio,13 56010 Lugnano (PI) ITALY	Drawn R.De Ieso Approved -	Title VLRI-X 8-16 Date (dd/mm/yy) 11.06.2010 Filename DR100016_00	Sheet 1 of 1 Dwg # DR100016

This drawing is the absolute property of Pentair Water Italy S.r.l. It may not be reproduced in any form without the written permission of Pentair Water Italy S.r.l.