

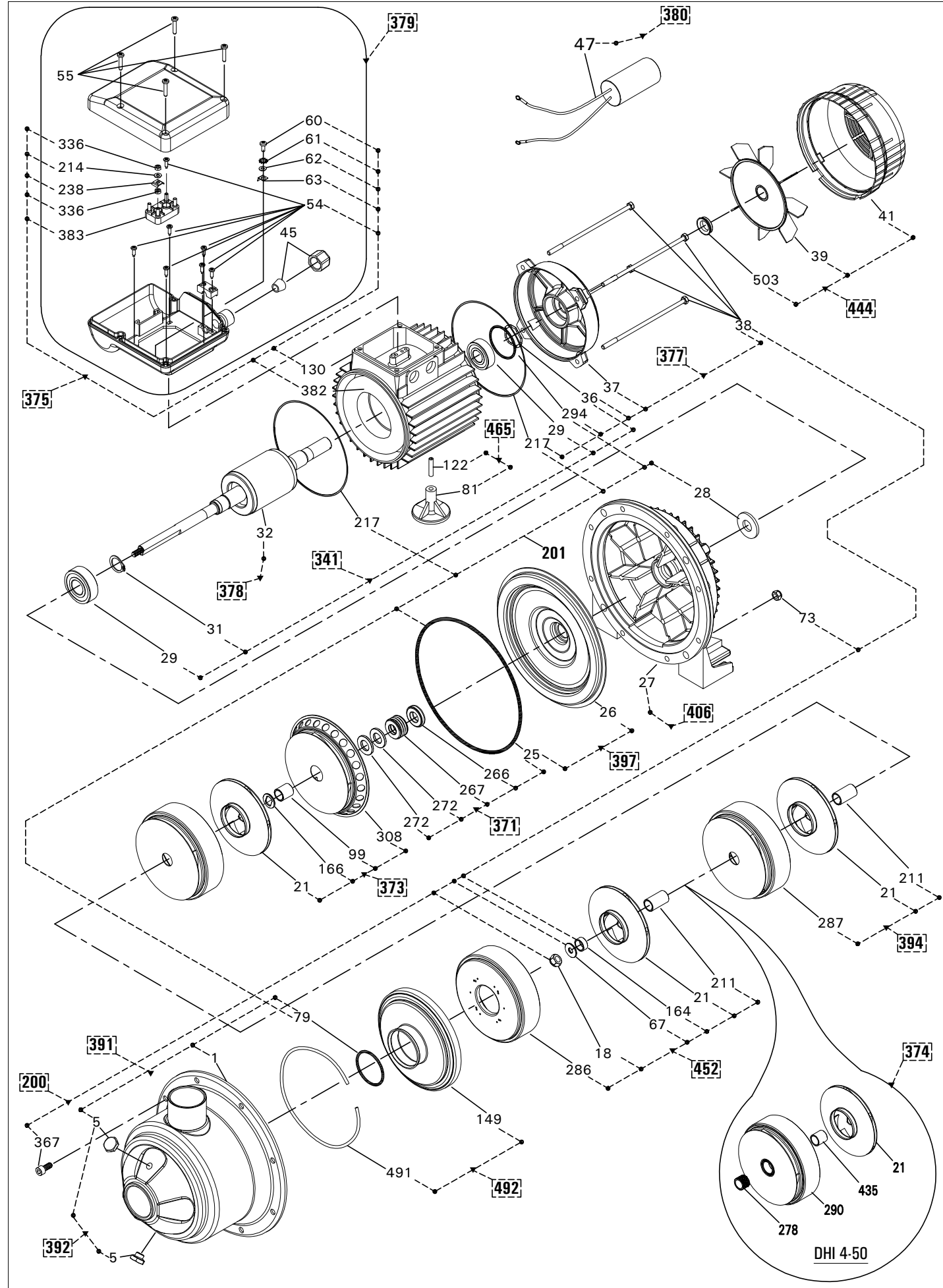
**Pentair Water Italy S.r.l.**  
 Via Masaccio, 13  
 56010 Lignano (PI)  
 ITALY

Drawn A. Bertola  
 Approved M. Bernacca

Title DHI 2  
 Date (dd/mm/yy) 12/07/2013  
 Dwg # DR130004\_00

Sheet 1 of 1

This drawing is the absolute property of Pentair Water Italy S.r.l. It may not be reproduced in any form without the written permission of Pentair Water Italy S.r.l.



**Pentair Water Italy S.r.l.**  
 Via Masaccio, 13  
 56010 Lignano (PI)  
 ITALY

Drawn A. Bertola  
 Approved M. Bernacca

Title DHI 4  
 Date (dd/mm/yy) 12/07/2014

Dwg # DR130005\_00

Sheet 1 of 1

This drawing is the absolute property of Pentair Water Italy S.r.l. It may not be reproduced in any form without the written permission of Pentair Water Italy S.r.l.